

AV10

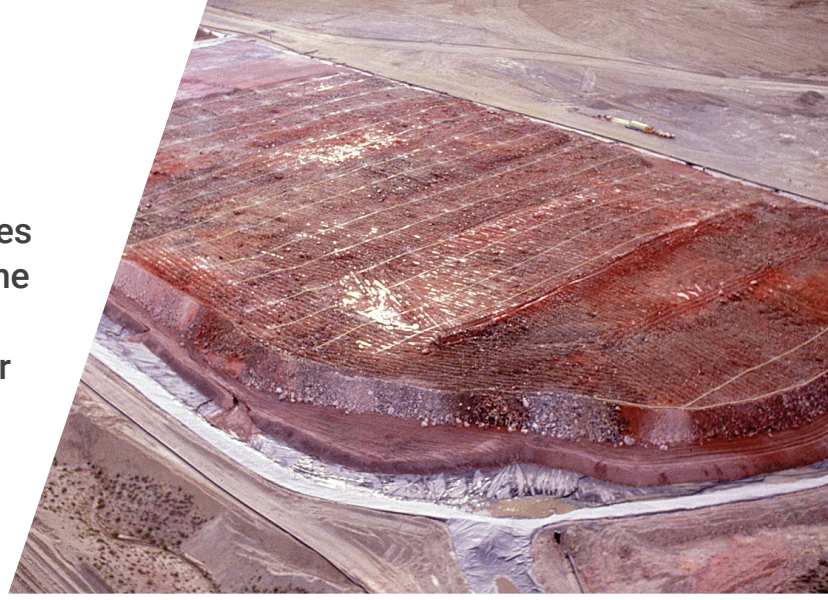
The AV-010 air and vacuum valve discharges air at high flow rates during the filling of the system and admits air at high flow rates during drainage, pump shut-off or at water column separation.



3/4", 1" model



2" model



Long-lasting performance



High durability



Easy maintenance

/ Benefits & Features

- **Long-lasting performance** Engineered with durability in mind. Supports long-term performance and reliability.
- **High durability** Offers superior resistance to chemicals and acids, minimizing maintenance and repair costs. Components are crafted from materials designed to withstand high acid concentrations found in mines.
- **Easy maintenance** Designed for effortless installation and upkeep, promoting convenience for users. Ensure long-term reliability with minimal maintenance effort.

/ Specifications

- Maximum working pressure 10 bar.
- Testing pressure 16 bar.
- Maximum working temperature 60°C.
- Available in:
 - 3/4" (20 mm) and 1" (25 mm) male threaded.
 - 2" (50 mm) and 3" (80 mm) female threaded.
 - NPT /BSPT.
- Optional addition – Schrader valve for measuring local line pressure (3/4", 1" only).

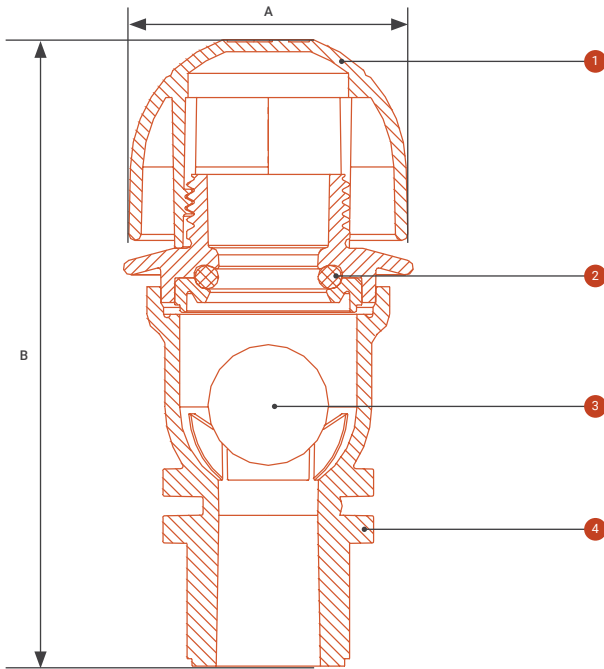
→ **Technical dimensions**

Nominal size	Dimensions (mm)		Weight (kg)	Orifice area (mm ²)
	A	B		
¾" (20 mm)	60	124	0.1	314
1" (25 mm)	60	124	0.1	314
2" (50 mm)	73	122	0.2	800
3" (80 mm)	104	165	0.6	2000

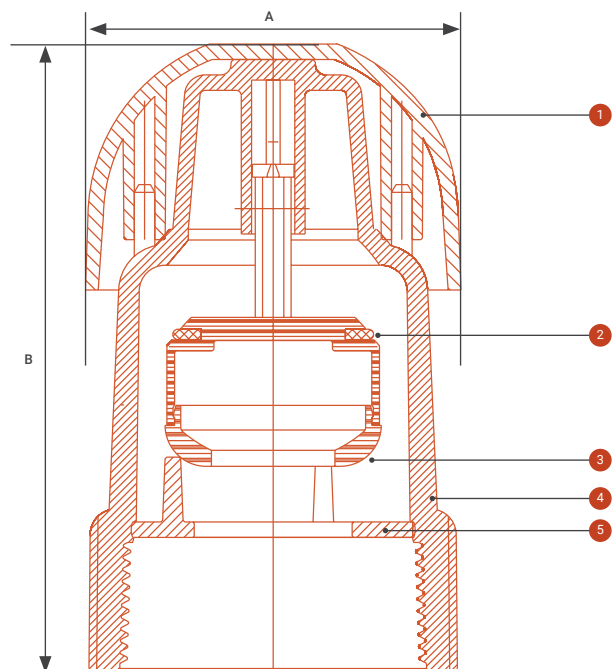
→ **Components raw materials**

#	Part name	¾", 1"	2"	3"
1	Cover	Polypropylene	Polypropylene	Polypropylene
2	Seal	Bunaa-n	EPDM	EPDM
3	Float	Polypropylene	Reinforced nylon	Reinforced nylon
4	Body	Polypropylene	Reinforced nylon	Reinforced nylon
5	Disc	-	Reinforced nylon	Reinforced nylon

¾", 1" Model

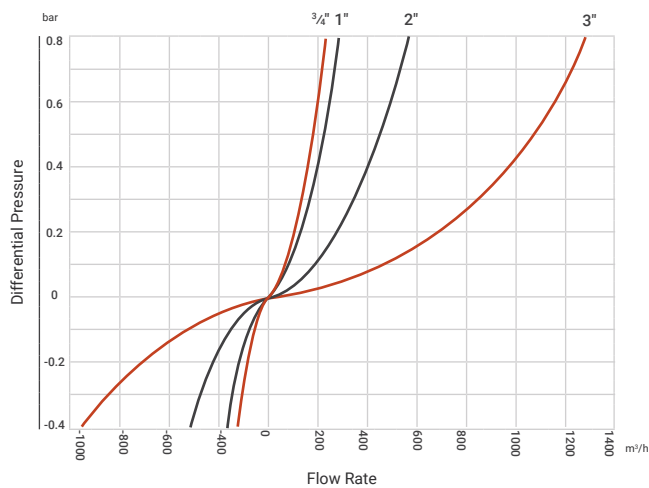


2" Model



→ **Head loss**

Air & Vacuum Flow Rate



→ **Catalog numbers examples**

Valve operation includes venting air from a filling pipeline and also vacuum breaking (air intake) of a draining pipeline, to optimize pipeline hydraulic efficiency and flow.

Description	Catalog number
AV10 1" NPT PP 150PSI NET VITON	70561-004900

*Other configurations are available upon request

06-1224-MIN-PS-0023-EN



Precision Agriculture

Want to know more?
mining@netafim.orbia.com

